

REI CRETARIÆ ROMANÆ FAVORVM

ACTA 42



CONGRESSVS VICESIMVS SEPTIMVS
REI CRETARIÆ ROMANÆ FAVORVM
SINGIDVNI HABITVS
MMX

BONN

2012

ISSN 0484-3401

Published by the REI CRETARIÆ ROMANÆ FAVTORES, an international learned society

Editorial committee:
Dario Bernal Casasola
Tatjana Cvjetićanin
Philip M. Kenrick
Simonetta Menchelli

General Editor: Susanne Biegert

Typesetting and layout: ars archäologie redaktion satz, Waldstraße 8 D-65719 Hofheim am Taunus

Printed and bound by: BELTZ Bad Langensalza GmbH, D-99947 Bad Langensalza

Enquiries concerning membership should be addressed to
The Treasurer, Dr. Archer Martin, Via di Porta Labicana 19/B2, I-00185 Roma
treasurer@fautores.org

ISBN 978-3-7749-3797-0

Distributor: Dr. Rudolf Habelt GmbH, Am Buchenhang 1, D-53115 Bonn, verlag@habelt.de

INHALTSVERZEICHNIS

Vorwort der Redaktion.	VII
<i>The Aegean and the Pontic region</i>	
Charikleia DIAMANTI Byzantine Emperors on stamped Late Roman/Early Byzantine Amphoras.	1
Cristina MONDIN La ceramica tardoantica di <i>Tyana</i> (Cappadocia meridionale): tra continuità e discontinuità nell'entroterra anatolico.	7
Platon PETRIDIS Pottery and society in the ceramic production centre of late Roman Delphi.	15
Denis ZHURAVLEV Syro-Palestinian lamps from Chersonesos and their derivatives of the Roman and Byzantine period.	23
<i>The Balkans and the Danube region</i>	
Maja BAUSOVAC & Darja PIRKMAJER Late Roman glazed pottery from Rifnik near Celje.	33
Vesna BIKIĆ & Vujadin IVANIŠEVIĆ Imported pottery in Central Illyricum – a case study: Caričin grad (<i>Iustiniana Prima</i>)	41
Snežana ČERNAČ-RATKOVIĆ Burnished pottery from <i>Horreum Margi</i>	51
Dénes GABLER Terra sigillata from <i>Aquincum-Viziváros</i> (water town).	57
Kristina JELINČIĆ Ceramica romana tardo antica dal villaggio romano Virovitica Kiškorijska Jug (<i>Pannonia Superior</i>) dalle unità stratigrafiche datate mediante ¹⁴ C	69
Gordana JEREMIĆ Late Roman and Early Byzantine pottery from Saldum. Reflection of change in social and historical circumstances.	81
Eduard KREKOVIĆ Roman Pottery in the Migration Period.	89
Slavica KRUNIĆ Late Roman and Early Byzantine lamps from <i>Singidunum</i>	97
Marian MOCANU Late Roman fine pottery with stamped decoration discovered at (<i>L?</i>) <i>ibida</i> (Province of <i>Scythia</i>)	107
Andrei OPAIT & Dorel PARASCHIV Rare amphora finds in the city and territory of (<i>L</i>) <i>ibida</i> (1 st –6 th centuries AD)	113
Ivana OŽANIĆ ROGULJIĆ Pottery from the workshop of Sextus Metilius Maximus (Crikvenica-Igralište/ <i>Ad Turres</i> , Northern Dalmatia)	125

Roberto PERNA, Chiara CAPPONI, Sofia CINGOLANI & Valeria TUBALDI <i>Hadrianopolis</i> e la valle del Drino (Albania) tra l'età tardoantica e quella protobizantina. Le evidenze ceramiche dagli scavi 2007–2009.	133
Angelina RAIČKOVIĆ Late Roman Pottery from <i>Viminacium</i> -Thermae. The excavation of 2004	147
Milica TAPAVIČKI-ILIĆ Some observations concerning painted pottery in <i>Moesia superior</i>	155

Italy and Cisalpine Gaul

Michele BUENO, Marta NOVELLO & Valentina MANTOVANI Progetto Aquileia: Casa delle Bestie Ferite. Commercio e consumo ad Aquileia. Analisi delle anfore tardoantiche alla luce di alcuni contesti.	159
Marco CAVALIERI, Enrica BOLDRINI, Charles BOSSU, Paola DE IDONÈ & Antonia FUMO Aspetti della cultura materiale nelle fasi di riutilizzo (V–inizi VII sec. d.C.) della villa romana di Aiano- Torraccia di Chiusi (San Gimignano, Siena/Italy). Note preliminari.	169
Fulvio COLETTI La ceramica invetriata di età tardoantica a Roma: nuovi dati da recenti scavi stratigrafici.	181
Daniela COTTICA & Luana TONIOLO La circolazione del vasellame ceramico nella laguna nord di Venezia tra I sec. d.C. e VI sec. d.C. Osservazioni preliminari.	195
Christiane DE MICHELI SCHULTHESS & Fabiana FABBRI I bicchieri a bulbo dal territorio italiano: contributo per la definizione di una <i>koiné</i> produttiva.	205
Fabiana FABBRI Ceramica di epoca tardo-imperiale dalla Valdinievole e dalla città di Pistoia (Toscana, Italia). Contributo per la storia economica e commerciale dell'Etruria romana.	217
Archer MARTIN Composition by functional groups of contexts at Pompeii.	225
Simonetta MENCHELLI & Marinella PASQUINUCCI Ceramiche con rivestimento rosso nella Tuscia settentrionale.	229
Luana TONIOLO Napoli tardo-antica. Nuovi dati dal centro urbano: il contesto dei Girolomini	239
Paola VENTURA Materiale ceramico da recenti scavi presso la villa di Torre di Pordenone (Provincia di Pordenone, Friuli Venezia Giulia, Italia)	249

Sicily and Lampedusa

Valentina CAMINNECI « <i>Animam in sepulchro condimus</i> »: sepolcreto tardoantico in anfore presso l'Emporion di Agrigento (Sicilia, Italia).	259
Armida DE MIRO & Antonella POLITO Lucerne in sigillata africana, ceramica fine e da fuoco dalla necropoli paleocristiana di Lampedusa (Sicilia)	267
Marek PALACZYK Spätantike und mittelalterliche Transportamphoren von <i>Ietas</i> (Sizilien).	273
Maria Concetta PARELLO & Annalisa AMICO Ceramica fine e ceramica comune di provenienza africana dal sito in contrada Verdura di Sciacca (Agrigento, Sicilia/Italia).	281
Maria Serena RIZZO & Luca ZAMBITO Ceramiche da fuoco di età tardo-antica e della prima età bizantina dal territorio agrigentino: nuovi dati da Cignana e Vito Soldano.	289

Africa

Marzia GIULIODORI (con collaborazione di Moufida JENEN, Sofia CINGOLANI & Chokri TOUIHRI) Ceramica tardoantica e bizantina dal teatro romano di <i>Althiburos</i> (Tunisia)	299
Mohamed KENAWI Beheira Survey: Roman pottery from the Western Delta of Egypt. Surface pottery analysis – Kilns.	309
Florian SCHIMMER Amphorae from the Roman fort at Gheriat el-Garbia (Libya).	319
Meike WEBER & Sebastian SCHMID Supplying a desert garrison. Pottery from the Roman fort at Gheriat el-Garbia (Libya).	327

Iberian Peninsula

Macarena BUSTAMANTE ÁLVAREZ La terre sigillée hispanique tardive: un état de question à la lumière de nouvelles découvertes.	337
Macarena BUSTAMANTE ÁLVAREZ & Francisco Javier HERAS Nouvelles données stratigraphiques pour la connaissance de la forme Hayes 56 en ARSW-D à <i>Augusta Emerita</i> (Mérida, Badajoz/Espagne).	349
Adolfo FERNÁNDEZ FERNÁNDEZ Datos preliminares sobre las ánforas orientales tardías de dos yacimientos de Vigo (Galicia, España), con el ejemplo de un contexto de la primera mitad del s. VII	355
Ana Patricia MAGALHÃES Late sigillata from fish-salting workshop 1 in Tróia (Portugal).	363
José Carlos QUARESMA & Rui MORAIS Eastern Late Roman fine ware imports in <i>Bracara Augusta</i> (Braga, Portugal).	373
Albert V. RIBERA I LACOMBA & Miquel ROSSELLÓ MESQUIDA Las ánforas tardoantiguas de Valentia.	385
Inês VAZ PINTO, Ana Patrícia MAGALHÃES & Patrícia BRUM Un depotoir du V ^e siècle dans l'officine de salaisons 1 de Tróia (Portugal).	397
Catarina VIEGAS Imports and local production: common ware from urban sites in southern <i>Lusitania</i> (Algarve).	407

Transalpine Gaul, Germany and Austria

Martin AUER Late Roman local production in southwestern <i>Noricum. Municipium Claudium Aguntum</i> – a case study	419
Loes LECLUSE Typological characterisation of kilns in north western Gaul in the Roman period.	423

VORWORT DER REDAKTION

Der 27. RCRF-Kongress fand vom 19. bis zum 26. September 2010 im Nationalmuseum in Belgrad statt. Thema des Kongresses war: „LATE ROMAN AND EARLY BYZANTINE POTTERY: the end or continuity of Roman production?“.

Von den anlässlich des Kongresses präsentierten Postern und Vorträgen wurden folgende nicht publiziert:

- M. BERGAMINI,
P. COMODI & I. FAGA Scoppieto: La produzione di vasi a pareti sottili
- D. BERNAL CASASOLA, M. LARA
MEDINA & J. VARGAS GIRÓN Roman clay fishing weights in Hispania. Recent research on typology and chronology
- A. BIERNACKI & E. KLENINA Red slip ware from *Novae (Moesia Secunda)*: 4th–5th local production and imports
- M. CASALINI Circolazione ceramica a Roma tra l'età delle invasioni e la riconquista bizantina. Nuovi dati dai contesti delle pendici nord orientali del Palatino
- Sv. CONRAD Pottery of the second half of the 3rd century from *Romuliana*
- T. CVJETIČANIN Late Roman pottery in Diocese Dacia: overview, problems and phenomena
- M. DASZKIEWICZ & H. HAMEL Roman pottery from Baalbek (Lebanon): provenance studies by laboratory analysis
- J. DAVIDOVIĆ Late Roman burnished pottery from Srem
- E. DOKSANALTI The late Roman pottery from “the Late Roman House” in Knidos and the Knidian late Roman pottery
- D. DOBREVA Late Roman amphorae on the Lower Danube: trade and continuity of the Roman production
- D. DOBREVA & G. FURLAN Progetto Aquileia: *Fondi ex Cossar*. Commercio e consumo ad Aquileia. Analisi delle anfore tardoantiche alla luce di alcuni contesti
- KR. DOMZALSKI Late Roman light-coloured ware: tradition and innovation
- P. DYCZEK Remarks on the so called legionary pottery
- A. JANKOWIAK & F. TEICHNER A household inventory of a *Mirobrigensis celticus*
- G. KABAKCHIEVA Spätromische Keramik in den Provinzen *Dacia Ripensis* und *Moesia Secunda*
- T. KOWAL & J. RECLAW Scientific Investigations – Program EU – Central Europe: The Danube Limes project
- J. KRAJSEK Late Roman pottery from *Municipium Claudium Celeia*
- J. LEIDWANGER Economic crisis and non market exchange: fabric diversity in the Late Roman 1 cargo amphoras from the 7th century shipwreck at Yassiada (Turkey)
- T. LELEKOVIĆ Pottery from the necropoleis of *Mursa* (1st–4th centuries)
- B. LIESEN First century fine ware production at Xanten (Germany)
- R. PALMA La ceramica dipinta di Schedia (Egitto)
- D. PARASCHIV,
G. NUTU & M. IACOB La ceramique romaine d'*Argamum (Moesia Inferior)*
- S. PETKOVIĆ Late Roman pottery from tower 19 of the later fortification of *Romuliana*
- P. PUPPO Ceramiche comuni di VI–VII sec. d.C. nella Sicilia occidentale: produzioni regionali ed importazioni dall'Africa settentrionale
- D. RADICEVIĆ Early Byzantine pottery from Liška Čava, near Guča (Western Serbia)
- D. RATKOVIĆ The territory of Serbia in Roman times
- CHR. SCHAUER Pottery of the late Roman and early Byzantine periods in Olympia

- G. SCHNEIDER & M. DASZKIEWICZ In-situ chemical analysis of pottery using a portable X-ray spectrometer
- A. STAROVIĆ & R. ARSIĆ Cherniakhovo-type ceramic vessels from NW Serbia and the question of inhabitants of the central Balkans in the late 4th century AD
- M. TEKOCAK Roman pottery in the Aksehir Museum
- P. VAMOS Some remarks about military pottery in *Aquincum*
- M. VUJOVIĆ & E. CVIJETIĆ *Mortaria* from Komini-*Municipium S.* (Montenegro)
- Y. WAKSMAN “Byzantine White Ware I”: from Late Roman to Early Byzantine Pottery in Istanbul/Constantinople
- I. ŽIŽEK Late Roman pottery in Roman graves in *Poetovio*

Bei der Korrektur und Durchsicht der Artikel stand mir das *editorial committee* zur Seite. Ganz besonders danke ich Philip Kenrick für die zuverlässige Unterstützung und Dieter Imhäuser (ars) für die gute und freundschaftliche Zusammenarbeit bei Satz und Layout.

Die Zitierweise wurde den Richtlinien der Römisch-Germanischen Kommission des Deutschen Archäologischen Instituts angeglichen (Ber. RGK 71, 1990, 973–998 und Ber. RGK 73, 1992, 478–540).

Susanne Biegert

Angelina Raičković

LATE ROMAN POTTERY FROM *VIMINACIUM-THERMAE*

The excavation of 2004

Previous excavations in *Viminacium* (**fig. 1**) took place in the area of the necropolis and were mostly protective in their character. Excavations of the *thermae* at Thermae, that were located some 200 m west of the *castrum*, were also carried out on several occasions. At first, in the 1970s, a concha was discovered, which helped to identify the building. On this occasion, parts of wall frescos were detected among the rubble, which indicated a luxurious furnishing of the building. During the excavation, several phases of utilization were detected, from the late 2nd to the late 4th century. These phases were separated by layers of burned remains, which were also visible in the profile outside the wall of the concha. Excavations at Thermae were continued after 30 years in 2004. We could not explore the building in all detail, but most of it could be uncovered: five conchas as well as several rooms (**fig. 2**).

At the site of Thermae, the Late Roman horizon was the most prominent in the middle and at the southern parts of the site. Ceramic vessels were discovered in a layer of rubble with the construction materials – parts of bricks, floor tiles, stone, *tessellae* and fresco mortar. An older horizon, with findings from the 2nd and early 3rd century, was evident at the northern and north-western parts of the site.

Late Roman pottery has been previously discovered at several places at the *Viminacium* area (**fig. 3**): at Selište (settlement), at the northern camp gate (*porta praetoria*), and in the area of the amphitheatre, which after it was closed down was used as a burial site. Up to now, the Thermae area delivered the largest Late Roman ceramic unit, with 12.904 processed fragments, 403 identified vessels and a large number of different forms. All types of dishes for food preparation are present (pots, bowls, lids), as well as food serving vessels (plates, jugs, beakers), and those for storage and transport (pithoi, amphorae).

The vessels are mostly made of sandy clay, most often in grey fabric. There are also vessels of sandy structure and reddish brown, brown or grey-brown fabric. Glazed pottery is present in great numbers and of all types. Far rarer are vessels made of fine-texture clay and red texture.

Pots are the most frequent of all vessels, and they are also the most diverse, with a total of 34 different forms (**fig. 4,7–15**). They are mostly made of sandy clay, the fabric is grey or greyish brown. There are surfaces with combed ornaments, or ribbed surfaces with notches (**fig. 4,16**). Among the pots, an olive-coloured glazed one is remarkable, it is the only one of its kind in that group. It has the shape of a pithos, and was

probably used for food storing, but its dimensions are smaller than those of the other vessels in the group of pithoi (**fig. 4,12**). It was discovered on the brick pavement in the southern area of Thermae, along with coins, according to which this unit is dated back to sixth or seventh decade of the 4th century. Characteristics similar to those of the pots, were also recognized with the lids. Therefore, based on their diameters and rim sizes, it is assumed that lids were most probably used for the covering of the pots. They appear in 20 different shapes (**fig. 5,19–31**). Beside these lids, there are also rarer lids made of medium fine-texture clay of red fabric and with glazed or coloured surface in different shades of red (**fig. 5,20–21**).

At the area of Thermae also a large number of bowls (**fig. 5–6,32–46**) was registered – almost 30 types were identified. In this functional group the most common are various types of *mortaria*. As vessels for food preparation – chopping up, grinding and pouring out – they usually show a broad rim and a strengthened interior edge that forms a drain, have a flat, stable bottom base and a rough interior surface. They differ in rim profiles and shapes of the body, basically they show deeper conical forms. They are made of a sandy clay with grey fabric and are glazed in an olive colour. The interior rim is roughened and a drain outflow has been made on the rim. The rim diameters of these *mortaria* reach up to 40 cm, the bottom diameters are up to 15 cm, while the height varies from 10 to 20 cm. Among these *mortaria* we can distinguish two types, where differences in their profile correspond to their chronology. The first variant, where the interior edge of the rim is at level with the outer one, appears in layers of the second half of 3rd century (**fig. 5,34**). The second variant, where the interior brim is placed higher than the outer one and with an outer diameter which does not exceed 34 cm, dates to the first half of the 4th century (**fig. 5,32**). Similar *mortaria* are found across Upper Moesia, as well as in Pannonia, where according to their contexts they are dated in the period from the end of 3rd to the mid of the 4th century.¹

Along with the *mortaria*, glazed bowls were found in a great numbers. There are several variants of such bowls, with conical and spherical bodies. Although there are different profiles, the rims often show notches, cuts and concentric circles. In the layer around concha III, an olive-green glazed pathera was found, with a profiled, hollow handle (**fig. 7,50**).²

¹ BRUKNER 1981 pl. 61.

² CVJETIČANIN 2006, 33.



Fig. 1. *Viminacium*, the capital of the province *Moesia Superior*, is located in the area of the village of Stari Kostolac, 90 km east of Belgrade.

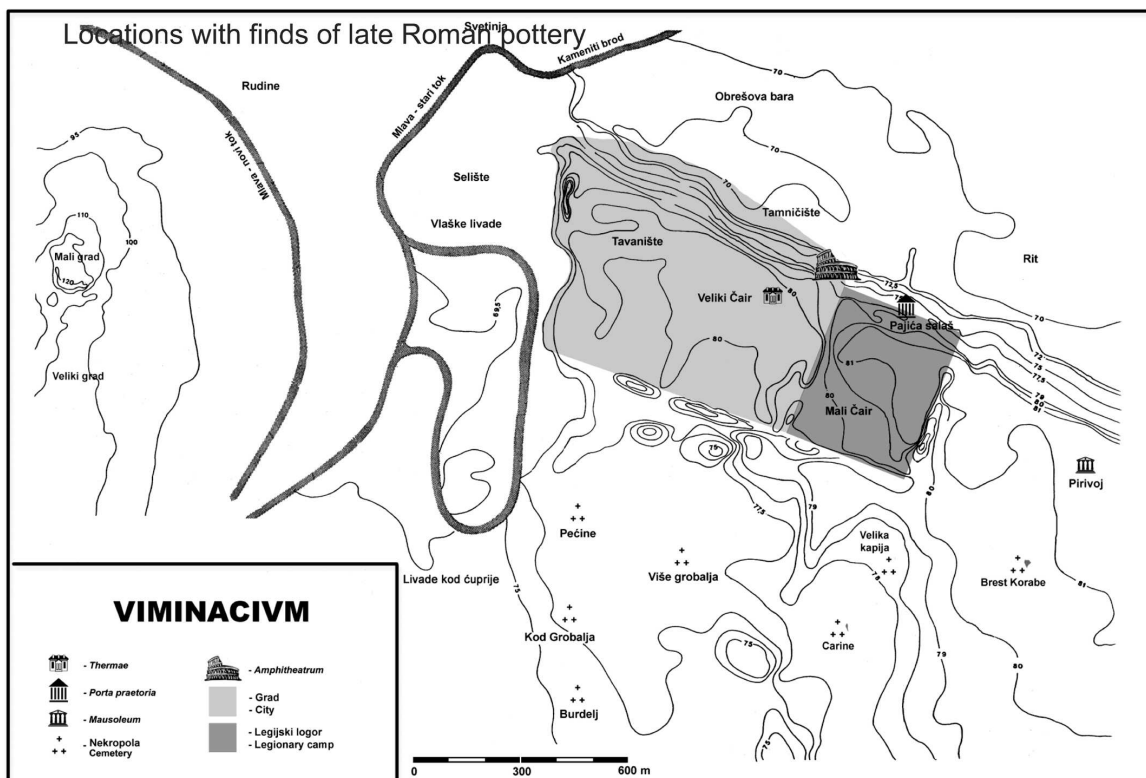


Fig. 2. *Viminacium*. Plan of the *thermae*.

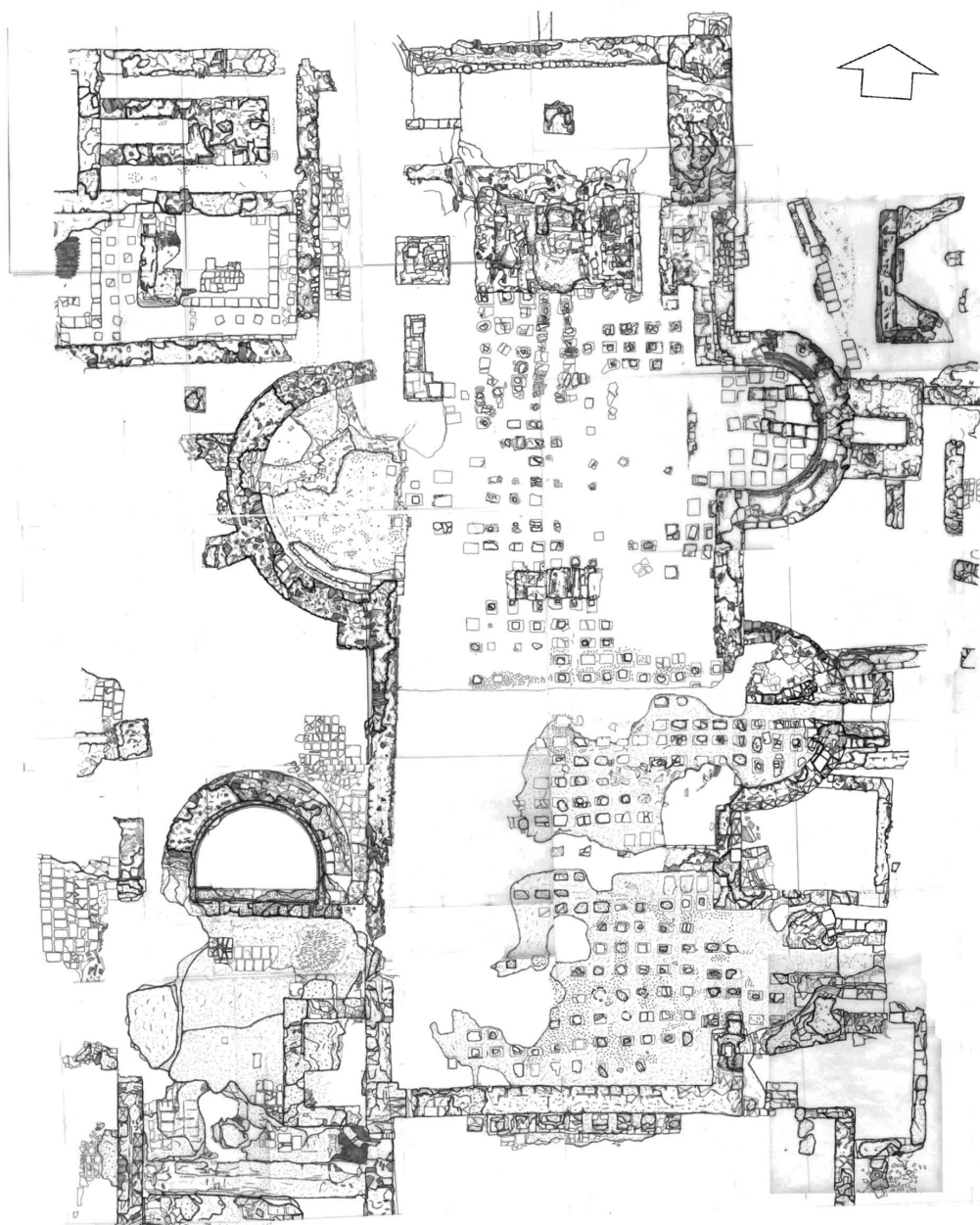


Fig. 3. *Viminacium*. Places with finds of late Roman pottery (RAIČKOVIĆ 2007, 76).

A small number of plates³ (only five different types) represent a higher quality table dish in this unit. In contrast to other vessels, they are mostly made of fine-texture clay with red or brownish grey fabric, while their surface is glazed or red coloured.

Jugs appear only in five different types (fig. 7,51–54).⁴ They are mostly made of sandy clay with grey fabric and have olive coloured glazed surfaces. Most types have one handle, with the exception of two specimens which have two handles (fig. 7,52–53). Vessels with trefoil rims sometimes have a broad neck.

There is also a very small number of beakers (fig. 6,48–49). Among them one stands out that is ornamented with stamps in concentric circles and lines, and which was made of medium fine-texture clay and shows an outer surface coloured in shades of grey (fig. 6,48). By coin finds it was dated to the mid 4th century.

At *Thermae*, *pithoi* are represented with four types. They were discovered in fragmented condition, so their heights cannot be determined. *Pithoi* with spherical form and horizontal rim were made of sandy clay with reddish brown fabric and traces of glazing on the outer surface (fig. 7,60–61). Also, one *pithoi* was found with handles that start at the rim and end at the wide, plump belly (fig. 7,61). It was

³ RAIČKOVIĆ 2007 pl. 8,77.79.

⁴ NIKOLIĆ-ĐORĐEVIĆ 2000, 142; CVJETIČANIN 2001, 55.

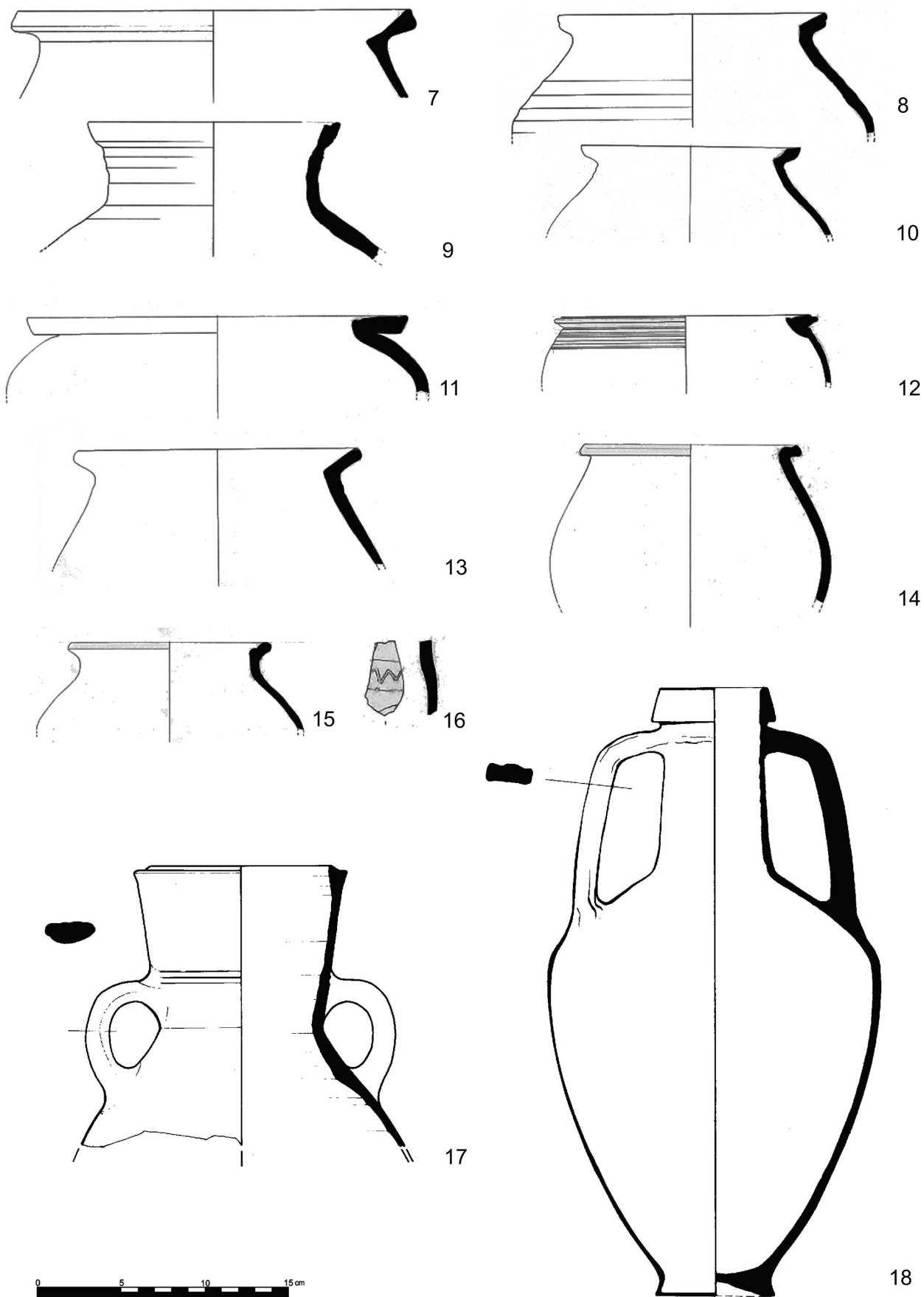


Fig. 4. Types of pots (drawings D. Rogić).

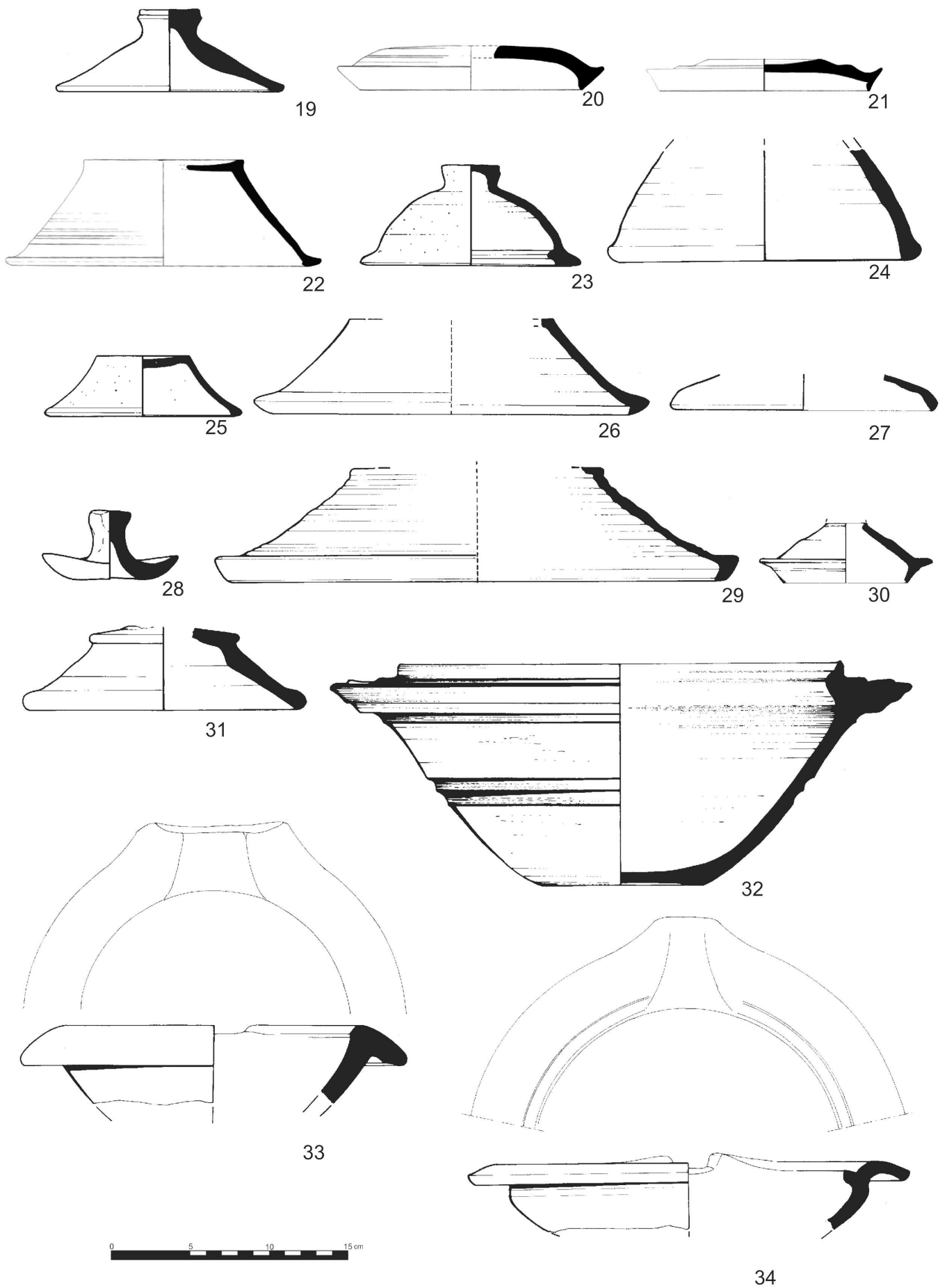


Fig. 5. Types of pots (drawings D. Rogić).

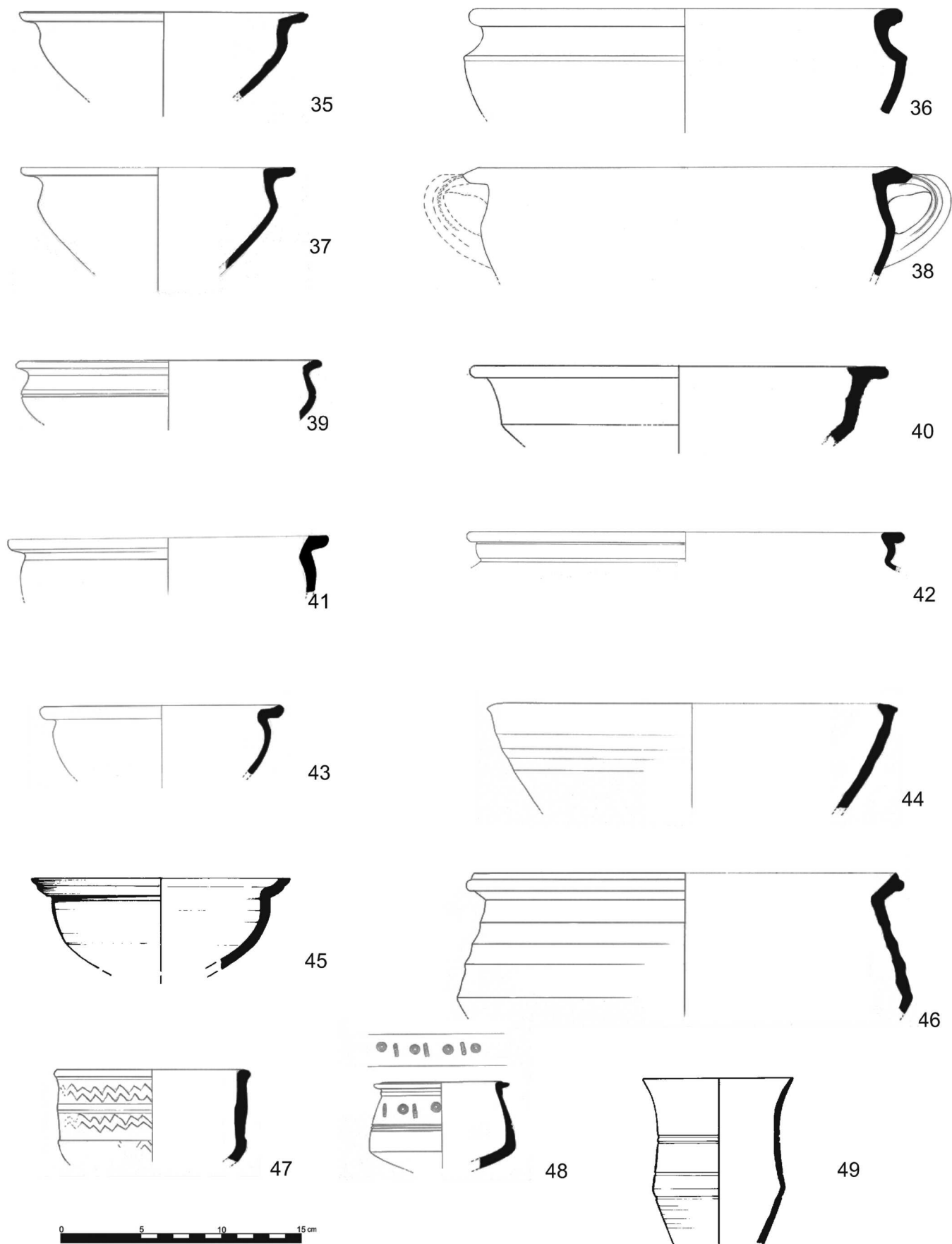


Fig. 6. Types of pots (drawings D. Rogić).

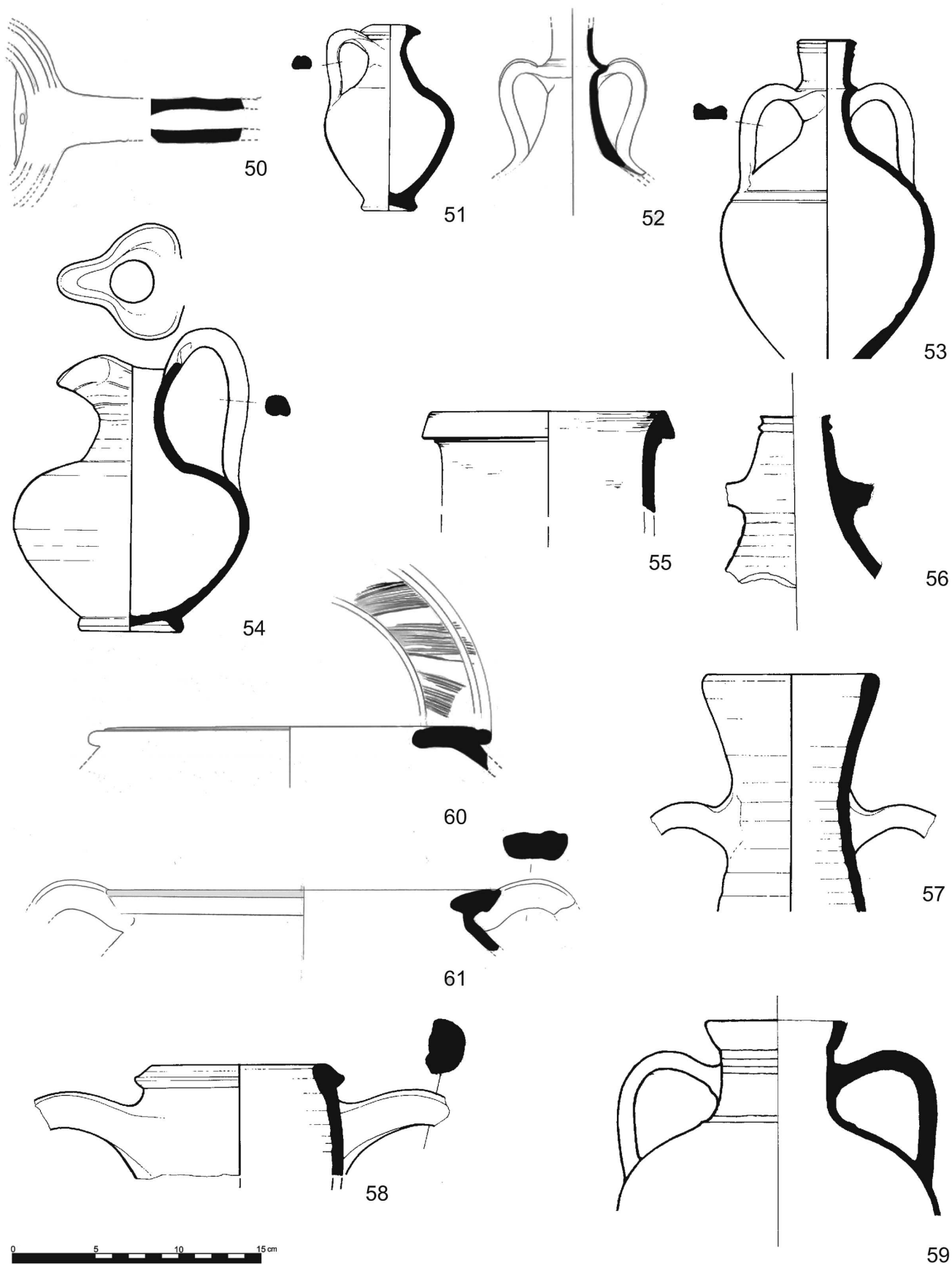


Fig. 7. Types of pots (50 CVJETIĆANIN 2006; 51–54 NIKOLIĆ-ĐORĐEVIĆ 2000, 142; CVJETIĆANIN 2001; all other drawings D. Rogić).

made of sandy clay with grey fabric and unprocessed outer surface. There were also pithoi of finer textures, like the vessel made of medium fine-texture clay and grey fabric, there the outer surface was decorated with an ornament made by polishing (fig. 7,60).

The *amphorae* (fig. 7,53–59) are mostly imports. Most common are Pontic amphorae of the types Riley LR1 and LR2.⁵ They are made of medium fine-texture clay in a red fabric, while the outer surface shows a yellowish white slip. These amphorae are widespread, and their highest concentration was evidenced in areas around the Black Sea and lower Danube. Beside those Pontic amphorae, other types of amphorae are also present, which are assumed to belong to the *Viminacium* production.⁶ These amphorae were made of medium fine-texture clay in a red fabric, while the outer surface mostly shows several shades of red colour. On amphorae of grey fabric, which are much rarer than the red ones, the outer surface is crude or dark-grey coloured. Such amphorae are found at all excavation sites, and they appear during a long period, from the 2nd to the end of the 4th century.

On the basis of other finds, primarily numismatic material, the Late Roman pottery found in the area of *Thermae* is dated to the period of the second to seventh decade of 4th century.

The collection of vessels from *Thermae* presented here illustrates a local production of Late Roman pottery, where

the functional pottery is more common than the luxurious one. The ratio of table and kitchen ware is in favour of kitchen ware with over 75%, while vessels for transportation and storage of food are represented with 10%. The imports mainly consist of amphorae.

The question of local origin is very important for the glazed pottery. A former discovery,⁷ traces of glaze on the grill of a kiln in a complex at the *canabae militaris* and glazed vessels in the contents of the kiln, which is dated with a Constantinian coin, confirmed the assumption that there were workshops for the production of glazed pottery in the area of *Viminacium*. This assumption is also supported by numerous samples of glazed vessels from the area of *Thermae*. Also, a further step to a better understanding of the local production of pottery is provided by the results of the latest physical-chemical analyses that were published recently by Walton and Tite in *Archaeometry*.⁸ Therefore we expect for the future that the processing and analysis of Late Roman pottery from other excavations at *Viminacium*, which are still in progress, will allow a better insight in the character of Late Roman pottery at this area and, consequently, a better understanding of the pottery production in the area of the Balkan provinces as a whole.

araickovic@yahoo.com

⁵ BJELAJAC 1996, 67–76.

⁶ Ibid. 98–103.

⁷ Ibid. 104.

⁸ WALTON 2010, 736–750.

Bibliography

BJELAJAC 1996

BRUKNER 1981

CVJETIČANIN 2001

CVJETIČANIN 2006

NIKOLIĆ-ĐORĐEVIĆ 2000

RAIČKOVIĆ 2007

WALTON 2010

LJ. BJELAJAC, *Amfore gornjomezijskog Podunavlja* (Beograd 1996).

O. BRUKNER, *Rimska keramika u jugoslovenskom delu provincije Donje Panonije* (Beograd 1981).

T. CVJETIČANIN, *Gleđosana keramika Gornje Mezije* (Beograd 2001).

T. CVJETIČANIN, *Kasnoantička gleđosana keramika: gleđosana keramika Prve Mezije, Priobalne Dakije, Središnje Dakije i Dardanije* (Beograd 2006).

S. NIKOLIĆ-ĐORĐEVIĆ, *Antička keramika Singidunuma*. *Singidunum 2*, 2000, 11–244.

A. RAIČKOVIĆ, *Keramičke posude zanatskog centra iz Viminacijuma* (Beograd 2007).

M. S. WALTON, *Production technology of Roman lead-glazed pottery and its continuance into late antiquity*. *Archaeometry* 52, 2009 (2010), 733–759.